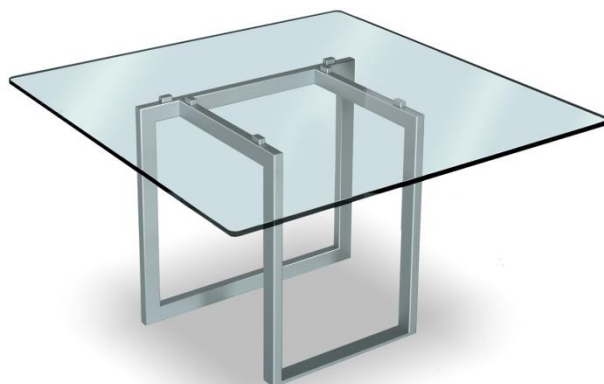


Product: MEETING TABLES

Deck Glass has characteristic glazed tops that enhance the distinctive metal bridge structure.

It is the plain version of the executive *Deck* designed by Jorge Pensi for Estel. Tops are available in rectangular, square or round version. *Deck Glass* is perfect for meeting and sharing spaces.



TECHNICAL FEATURES

Top: the tops are made in clear glass or Back-lacquered etched glass 15 mm thick.

Base: metal tubular structure in satin Nickel.

Central base (rectangular top): structure made of wood particles, sablè lacquered in different sample collection colors or Time covered.

FINISHES

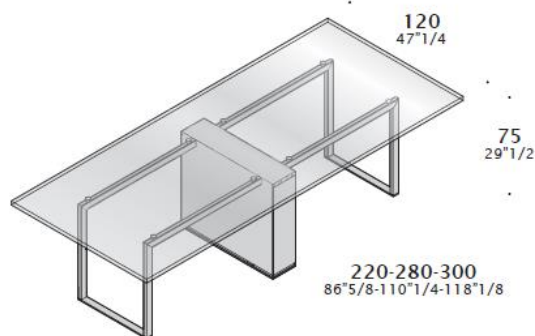
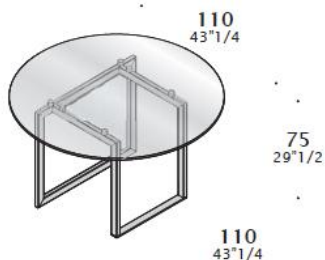
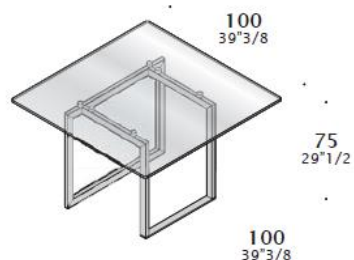
Top:
Clear Glass.

Back-lacquered etched glass: White, Silver, Titanio, Brown, Alfa Red.

Base: satin Nickel.

Central base: sablè lacquered in different sample collection colors or in Time covered.

DIMENSIONS



Options:
H75 and D120 available with all length options.